

**Series 4, washing machine, front loader, 9 kg, 1400 rpm
WAN2829ESN**



Washing machine with Iron Assist to reduce your ironing pile and with a long lasting EcoSilence Drive motor.

- **Eco Silence Drive™:** Quiet and energy-efficient drive, with a 10-year warranty.
- **Speed Perfect:** perfectly clean in up to 65% less time.¹
- **Vario Drum:** gently and efficiently wash with even water distribution and without creasing garments.
- **Active Water Plus:** For highly efficient use of water even with smaller loads thanks to automatic load detection.
- **LED Display with end-or start-time delay of up to 24 hours.**

Technical Data

Built-in / Free-standing:	Free-standing
Door hinge:	Left
Color / Material body:	White
Length electrical supply cord:	210 cm
Height of the appliance:	845 mm
Dimensions of the product:	845x598x590 mm
Wheels:	No
Net weight:	66.9 kg
Drum volume:	65 l
Noise level washing:	51 dB(A) re 1pW
Connection rating:	2300 W
Fuse protection:	10 A
Voltage:	220-240 V
Frequency:	50 Hz
Energy Star Qualified:	No
Cord Included:	Yes
Length of supply hose (in):	59.05 "
Dimensions of the packed product:	34.25 x 25.59 x 27.16
Net weight:	148.000 lbs
Gross weight:	150.000 lbs
Length of drain hose:	150.00 cm
Length of supply hose:	150.00 cm
Dimensions of the packed product (HxWxD):	870 x 650 x 690 mm
Gross weight:	67.9 kg
Connection rating:	2300 W
Fuse protection:	10 A
Voltage:	220-240 V
Frequency:	50 Hz
Water protection system:	Multiple water protection
Maximum spin speed:	1400 rpm
Spin speed options:	Variable
Digital countdown indicator:	Yes
Drying progress indicator:	No display
Energy Efficiency Class (Regulation (EU) 2017/1369):	A
Weighted energy consumption in kWh per 100 washing cycles of eco 40-60 programme (EU 2017/1369):	49 kWh
Rated capacity, in kg, for the eco programme at full load (EU 2017/1369):	9.0 kg
The water consumption of the eco programme in liters per cycle (EU 2017/1369):	50 l
Duration of eco 40-60 programme in hours and mins at rated capacity (EU 2017/1369):	3:48 h
Spin-drying efficiency class of eco 40-60 programme (EU 2017/1369):	B
Airborne acoustical noise emission class (EU 2017/1369):	A
Airborne acoustical noise emissions (EU 2017/1369):	72 dB(A) re 1pW

Optional accessories

WMZ2200	Floor securing component
WMZ2381	Extension for cold water inlet /Aquastop
WMZMPF10	Microplastic Filter
WMZPW20W	Platform with pull-out, washer, cubic

¹ Difference between the duration of Easy Care Programme 40°C and the duration of Easy Care Programme 40°C in combination with Speed Perfect option.

Series 4, washing machine, front loader, 9 kg, 1400 rpm WAN2829ESN

Washing machine with Iron Assist to reduce your ironing pile and with a long lasting EcoSilence Drive motor.

Engine power and consumption

- Energy Efficiency Class¹: A
- Energy² / Water³: 49 kWh / 50 litres
- Load capacity: 1 - 9 kg
- Spin drying efficiency class: B
- Spin power / spin speed^{**}: 0 - 1400 t/min
- Noise level: 72 dB (A) re 1 pW
- Noise efficiency class: A

Programmes

- standard programmes: cottons, easy care, delicate, wool hand wash
- Iron Assist: Steam programme that reduces wrinkles on dry clothes
- Special programmes: Drum clean with reminder, dark wash, Iron Assist, shirts/blouses, Hygiene, Spin / Drain, quick/mixture, sportswear, Rinse, Quick 30'/15', delicate/silk, wool/hand wash

Options

- SpeedPerfect: perfectly clean in up to 65% less time. ***
- TouchControl buttons: start/pause with reload function, Prewash, Temperature, Spin speed reduction, SpeedPerfect/Rinse hold

Comfort and safety

- Reload function: Be flexible in adding laundry items even after start of the wash cycle.
- Large display for spin speed, remaining time, 24 h end time delay and load recommendation
- Usage meter: counts completed programmes
- Drum volume: 65 l
- Multiple water protection
- Fully electronic control dial for all wash- and special programs
- AntiVibration Design: more stability and quietness
- EcoSilence Drive: quiet motor with long lifetime
- 10 years guaranty on EcoSilence Drive
- ActiveWater Plus: for highly efficient use of water even with small loads thanks to automatic load detection.
- Foam detection system
- Out of balance load adjustment
- Overdosage display: No
- Buzzer at end of program
- Electronic childlock
- 47 cm porthole, black-blackgrey with 160° opening door
- Metal door closing hook
- comfort lock

Technical information:

- slide-under at height of 85 cm
- Dimensions (H x W): 84.5 cm x 59.8 cm
- Appliance depth: 59.0 cm
- Appliance depth incl. door: 63.2 cm
- Appliance depth with open door: 104.9 cm

¹ Scale of Energy Efficiency Classes from A to G

² Energy consumption in kWh per 100 cycles (in programme Eco 40-60)

³ Weighted water consumption in litres per cycle (in programme Eco 40-60)

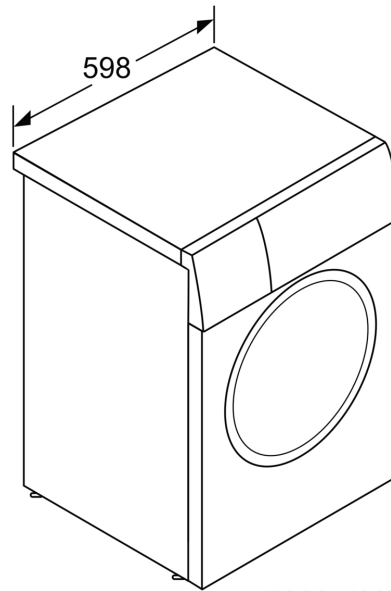
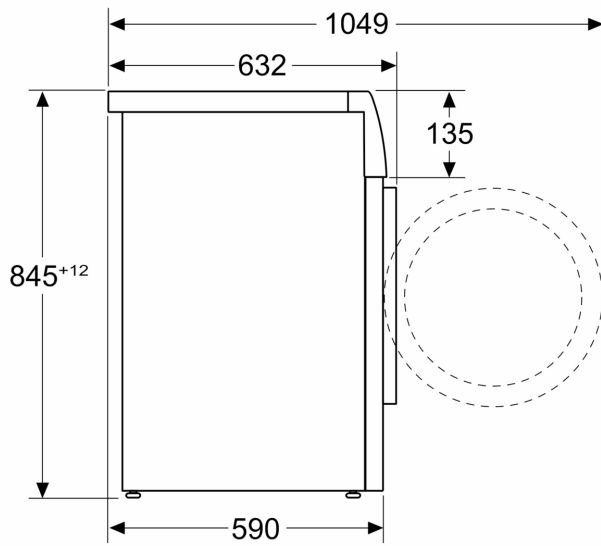
⁴ Duration of programme Eco 40-60

** Values are rounded.

*** Comparison between the program duration of Easy-care 40°C and the program duration of Easy-care 40°C + activated Speed option

**Series 4, washing machine, front
loader, 9 kg, 1400 rpm
WAN2829ESN**

Measurements in mm



measurements in mm